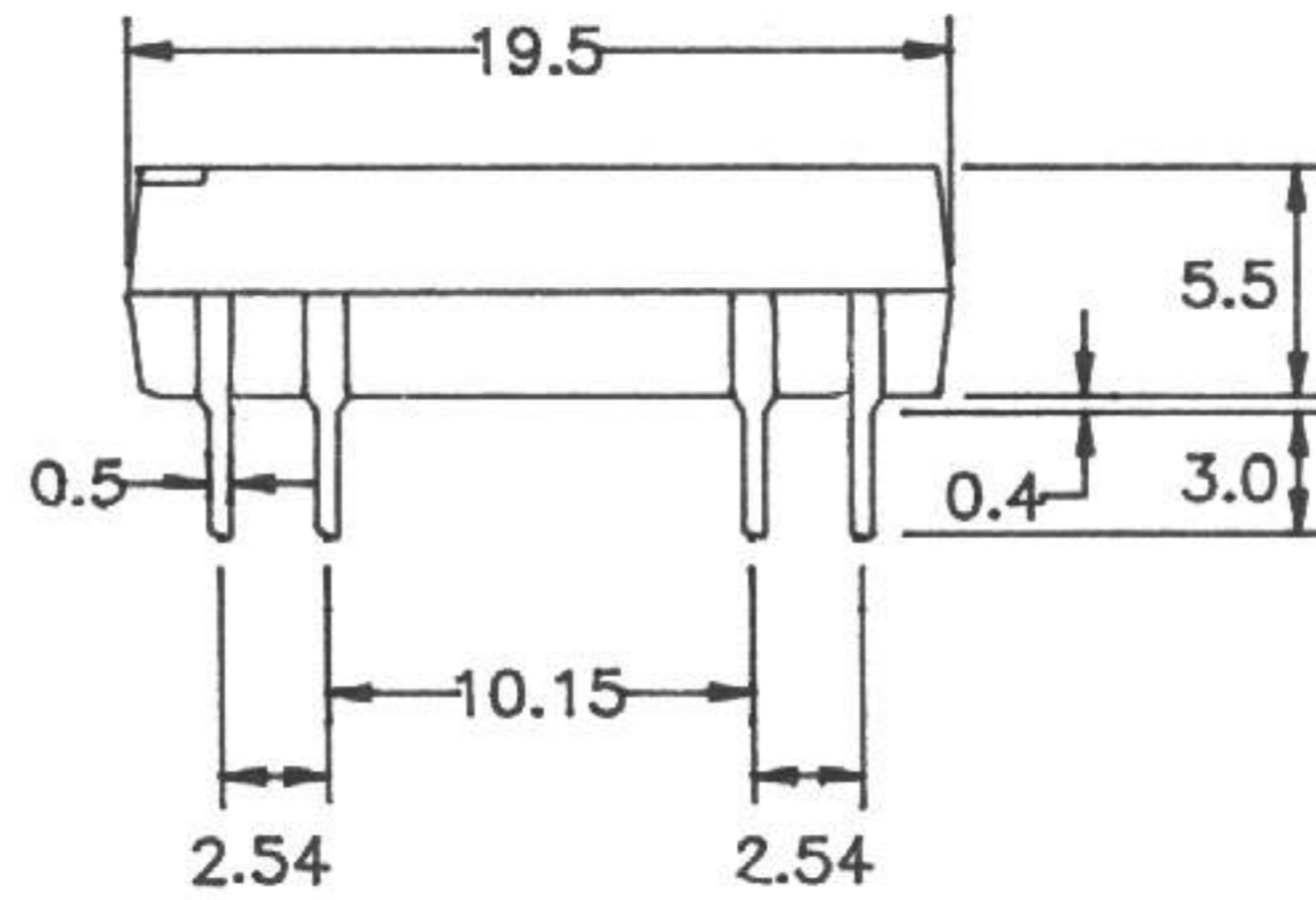
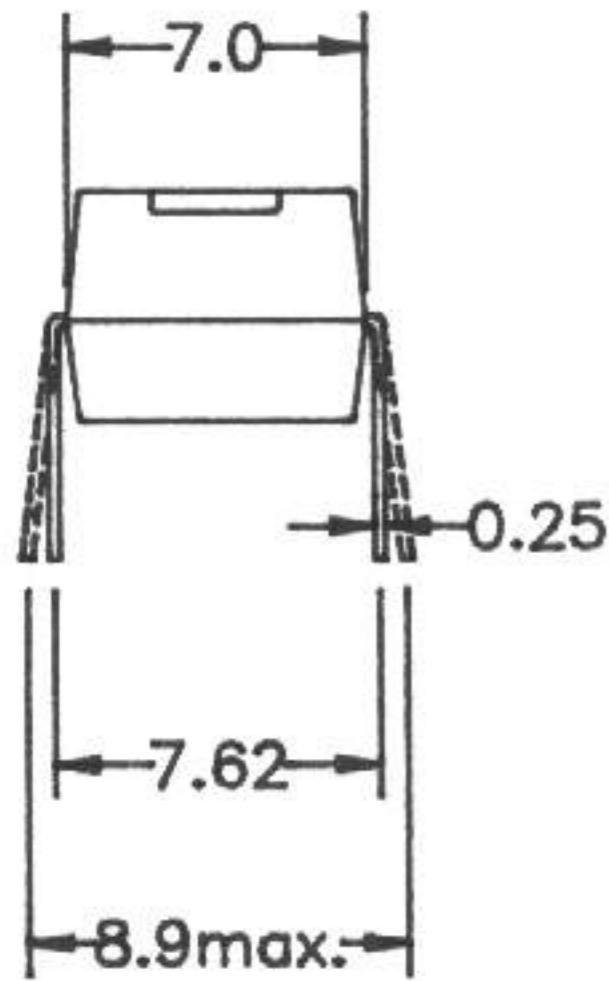
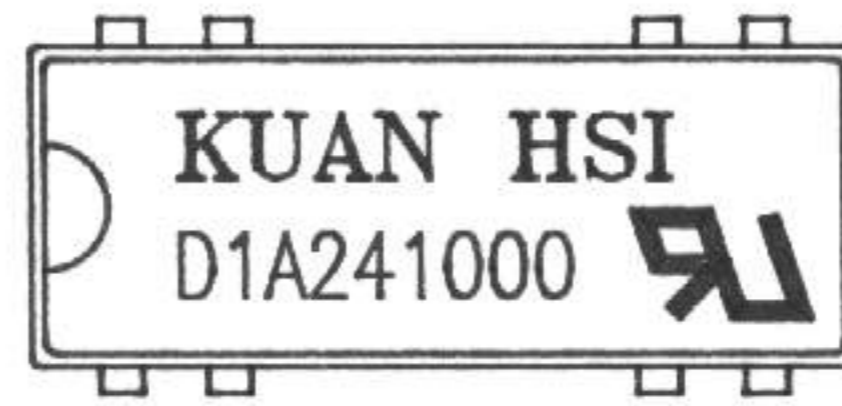


PRODUCT SPECIFICATION

DATE: 12/28/93'

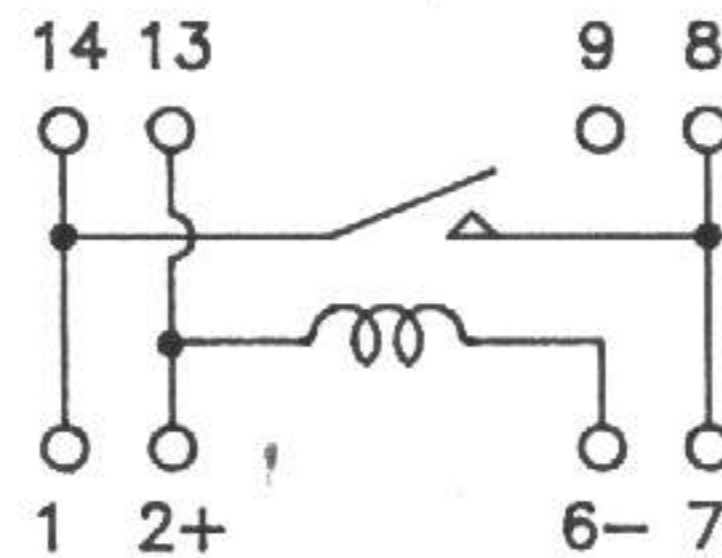
KUAN HSI ELECTRONICS CO.,LTD.	Reed Relay : D1A241000	NO. 50R02003	REV.
		SHEET 1 OF 2	/

1. OUTSIDE DIMENSION : UNIT (mm)



TOLERANCE : $\pm 0.1\text{mm}$

2. SCHEMATIC : TOP VIEW



ISSUE SAM YIIN <i>12-28-1993</i>	CHECK <i>David Wang 12/30</i> <i>12-30-1993</i>	APPROVED <i>Zogma King 12/30</i> <i>12-30-1993</i>
---	---	--

PRODUCT SPECIFICATION

DATE: 12/28/93'

KUAN HSI ELECTRONICS CO.,LTD.	Reed Relay : D1A241000	NO. 50R02003 SHEET 2 OF 2	REV. /
---	---------------------------	------------------------------	-----------

3.0 COIL RATINGS: (AT 20°C)

3.1	Coil resistance	2150	($\Omega \pm 10\%$)
3.2	Nominal coil voltage	24	(VDC)
3.3	Maximun Continuous voltage	28	(VDC)
3.4	Must operate	18	(VDC)
3.5	Must release	2.4	(VDC)
3.6	Rated current	11.1	(mA)

4.0 ELECTRONICAL CHARACTERISTICS :

4.1	Contact resistance	100	(m Ω max)
4.2	Operate time	0.5	(mS max)
4.3	Bounce time	0.5	(mS max)
4.4	Release time	0.2	(mS max)
		11	
4.5	Insulation resistance (100 VDC open contact)	10	(Ω min)
4.6	Power	10	(VA max)
4.7	Switching voltage	200	(VDC max)
4.8	Switching current	0.5	(A max)
4.9	Carry current	1.0	(A max)
4.10	Breakdown voltage (across open contact)	250	(VDC min)
	(between coil & contact)	500	(VDC min)
		8	
3.11	Life expectancy (signal level)	10	
3.12	Operating temp.	-40	to 85°C
3.13	Storage temp.	-50	to 125°C
3.14	Resonant frequency	3.5	(KHZ)
3.15	Vibration (10 - 2000 HZ)	20	(g max)
3.16	Minimun permissible load	100	mVDC 10uA

ISSUE <i>SAM YIIN.</i> <small>12-28-1993</small>	CHECK <i>David Wang</i> 12/30 <small>12-30-1993</small>	APPROVED <i>Zojene King</i> 12/30 <small>12-30-1993</small>
--	---	---