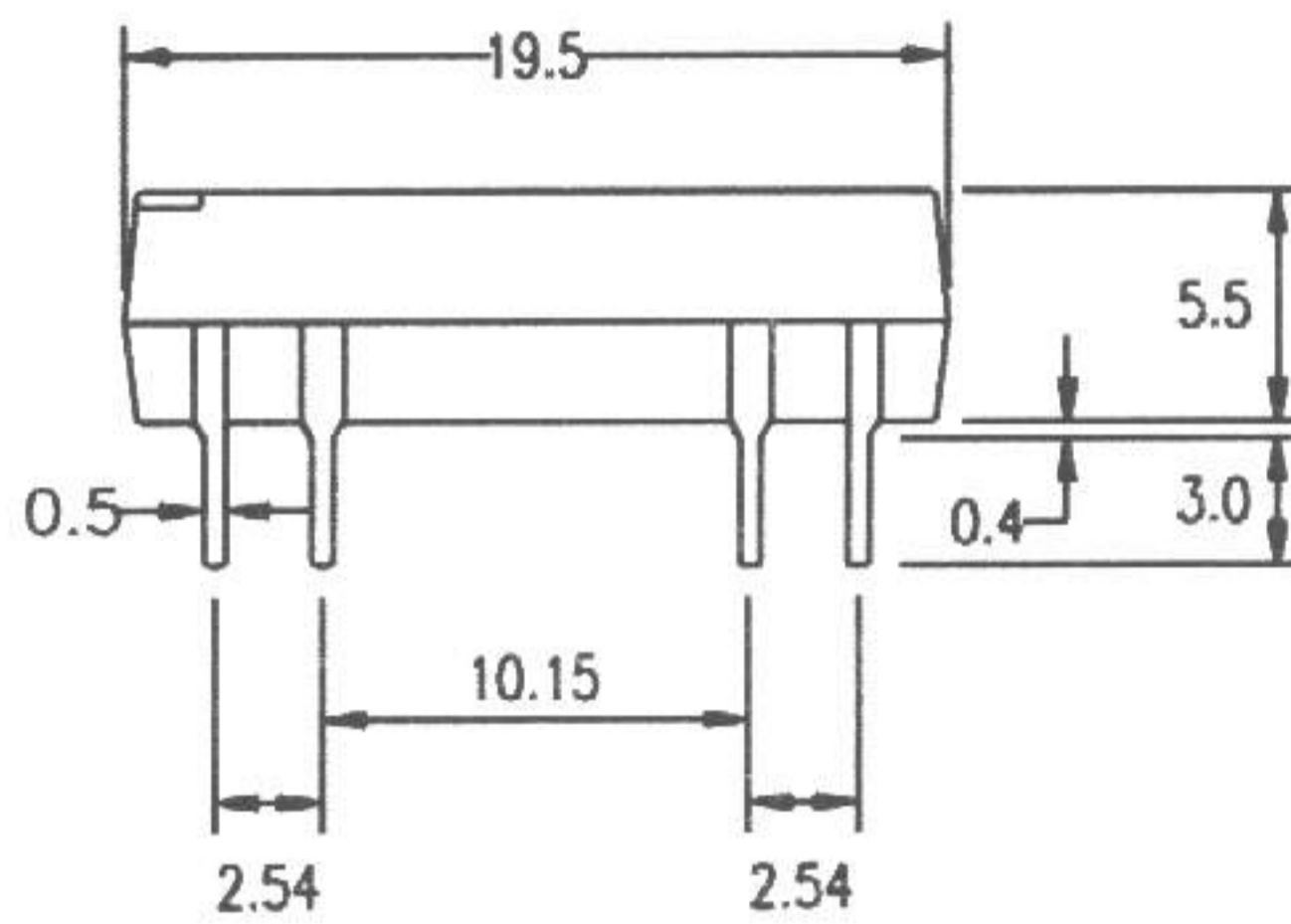
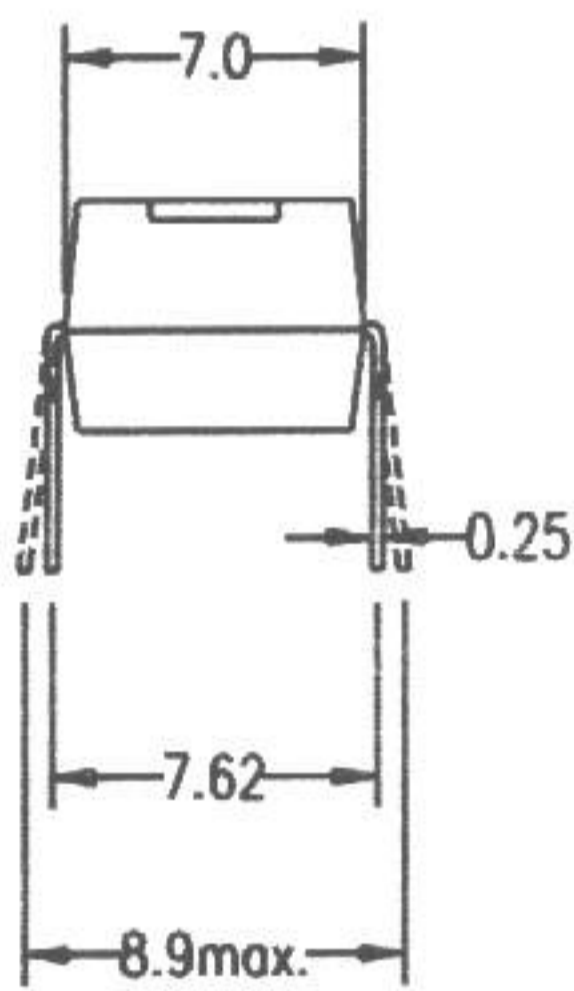


PRODUCT SPECIFICATION

DATE: 05/12/94'

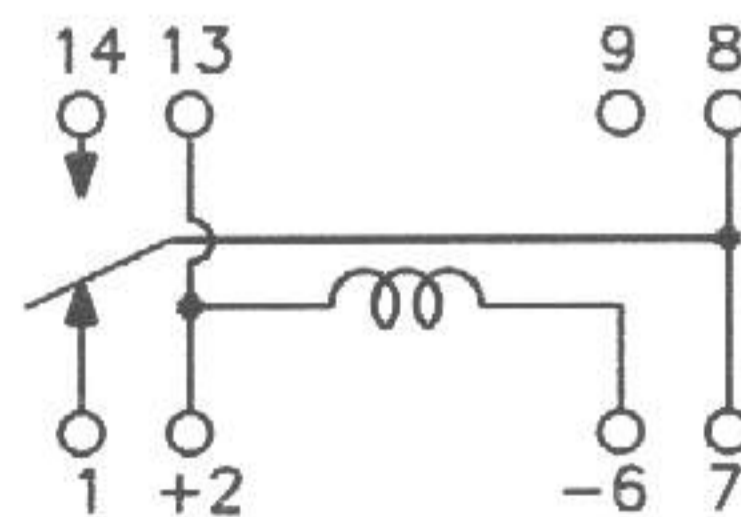
KUAN HSI ELECTRONICS CO.,LTD.	Reed Relay : D1C051000	NO. 50R02019	REV.
		SHEET 1 OF 2	1

1. OUTSIDE DIMENSION : UNIT (mm)



TOLERANCE : $\pm 0.1\text{mm}$

2. SCHEMATIC : TOP VIEW



ISSUE <i>Jacky Wang</i> 5-12-1994	CHECK <i>Alan Lin</i> 5-12-1994	APPROVED <i>[Signature]</i> 5-13-1994
--------------------------------------	---------------------------------	--

PRODUCT SPECIFICATION

DATE: 05/12/94'

KUAN HSI ELECTRONICS CO.,LTD.	Reed Relay : D1C051000	NO. 50R02019	REV.
		SHEET 2 OF 2	1

3.0 COIL RATINGS: (AT 20°C)

3.1	Coil resistance	200	(Ω ± 10%)
3.2	Nominal coil voltage	5	(VDC)
3.3	Maximun Continuous voltage	10	(VDC)
3.4	Must operate	3.75	(VDC)
3.5	Must release	1.0	(VDC)
3.6	Rated current	25	(mA)

4.0 ELECTRONICAL CHARACTERISTICS :

4.1	Contact resistance	150	(mΩ max)
4.2	Operate time	1.0	(mS max)
4.3	Bounce time	2.0	(mS max)
4.4	Release time	0.2	(mS max)
4.5	Insulation resistance (100 VDC open contact)	10 ¹¹	(Ω min)
4.6	Power	3	(VA max)
4.7	Switching voltage	100	(VDC max)
4.8	Switching current	0.25	(A max)
4.9	Carry current	0.5	(A max)
4.10	Breakdown voltage (across open contact)	200	(VDC min)
	(between coil & contact)	500	(VDC min)
4.11	Life expectancy (signal level)	5X10 ⁷	
4.12	Operating temp.	-40 to	85°C
4.13	Storage temp.	-50 to	125°C
4.14	Resonant frequency	3.5	(KHZ)
4.15	Vibration (10 - 2000 HZ)	20	(g max)
4.16	Minimum permissible load	100mVDC	10uA

ISSUE <i>Jacky Wong</i> 5-12-1994	CHECK <i>Alan Lau</i> 5-12-1994	APPROVED <i>[Signature]</i> 5-13-1994
--------------------------------------	------------------------------------	--