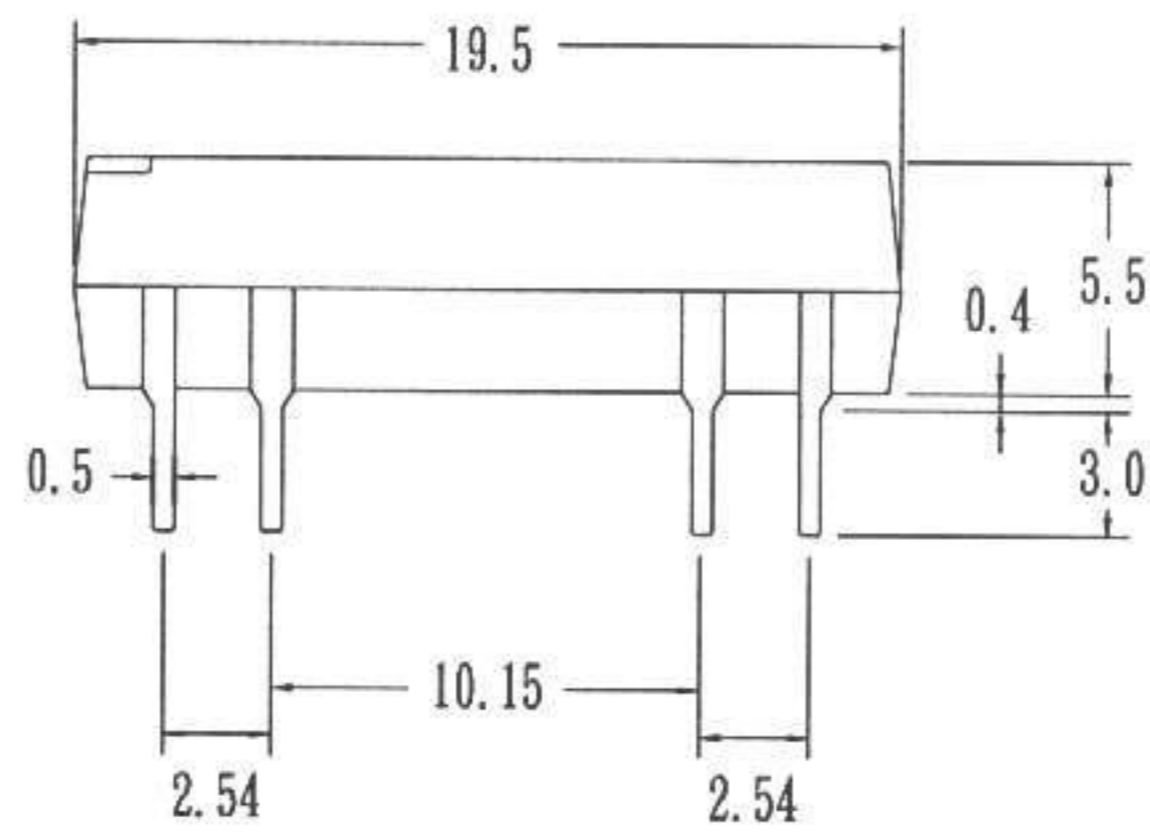
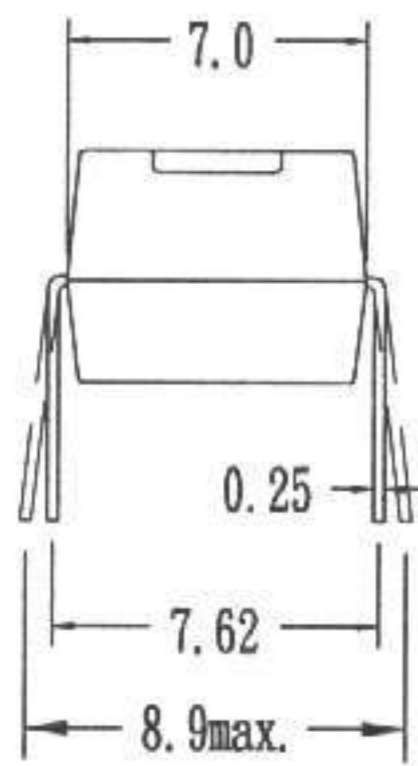


# PRODUCT SPECIFICATION

DATE: 03/26/00'

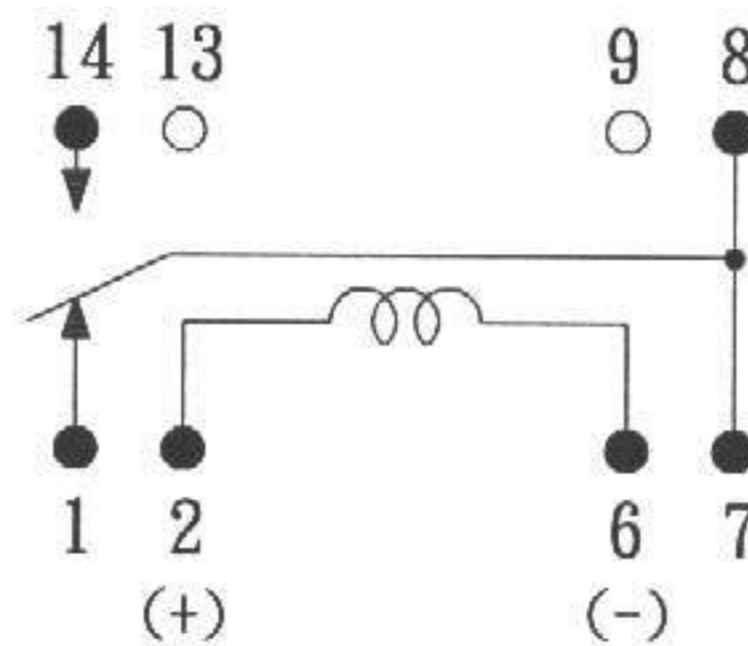
<b>COSMO</b> ELECTRONICS CORPORATION	REED RELAY: <b>D1C120000</b>	NO. 50R01020	REV.
		SHEET 1 OF 2	2

## 1. OUTSIDE DIMENSION : UNIT ( mm )



TOLERANCE :  $\pm 0.1\text{mm}$

## 2. SCHEMATIC : TOP VIEW



ISSUE Dean. Yu. 03-28-00	CHECK Alan Sei 03-29-00	APPROVED Stan Hsu 4/1/00
--------------------------------	----------------------------	-----------------------------

# PRODUCT SPECIFICATION

DATE: 03/26/00'

COSMO ELECTRONICS CORPORATION	REED RELAY:	NO. 50R01020	REV.
	D1C120000	SHEET 2 OF 2	2

### 3.0 COIL RATINGS: (AT 20°C)

3.1 Coil resistance	500	$\Omega$	( $\pm 10\%$ )
3.2 Nominal coil current	12	VDC	
3.3 Maximum Continuous voltage	20	VDC	
3.4 Must operate	9	VDC	
3.5 Must release	1.2	VDC	
3.6 Rated current	24	mA	

### 4.0 ELECTRONICAL CHARACTERISTICS:

4.1 Contact resistance	150	m $\Omega$	(max)
4.2 Operate time	1.0	ms	(max)
4.3 Bounce time	2.0	ms	(max)
4.4 Release time	1.0	ms	(max)
4.5 Insulation resistance (100 VDC open contact)	$10^9$	$\Omega$	(min)
4.6 Power	3	VA	(max)
4.7 Switching voltage	100	VDC	(max)
4.8 Switching current	0.25	A	(max)
4.9 Carry current	0.5	A	(max)
4.10 Breakdown voltage (across open contact)	200	VDC	(min)
(between coil & contact)	500	VDC	(min)
4.11 Life expectancy (signal level)	$5 \times 10^7$		
4.12 Operating temp	-40 to 85	$^{\circ}\text{C}$	
4.13 Storage temp	-50 to 125	$^{\circ}\text{C}$	
4.14 Resonant frequency	3.5	KHZ	
4.15 Vibration (10-2000HZ)	20	g	(max)
4.16 Minimum permissible load	100	mVDC	10uA

ISSUE Dean. Yu. 03-28-00	CHECK Alan Lai 03-29-00	APPROVED Sten Hsu 4-1-00
--------------------------------	----------------------------	-----------------------------