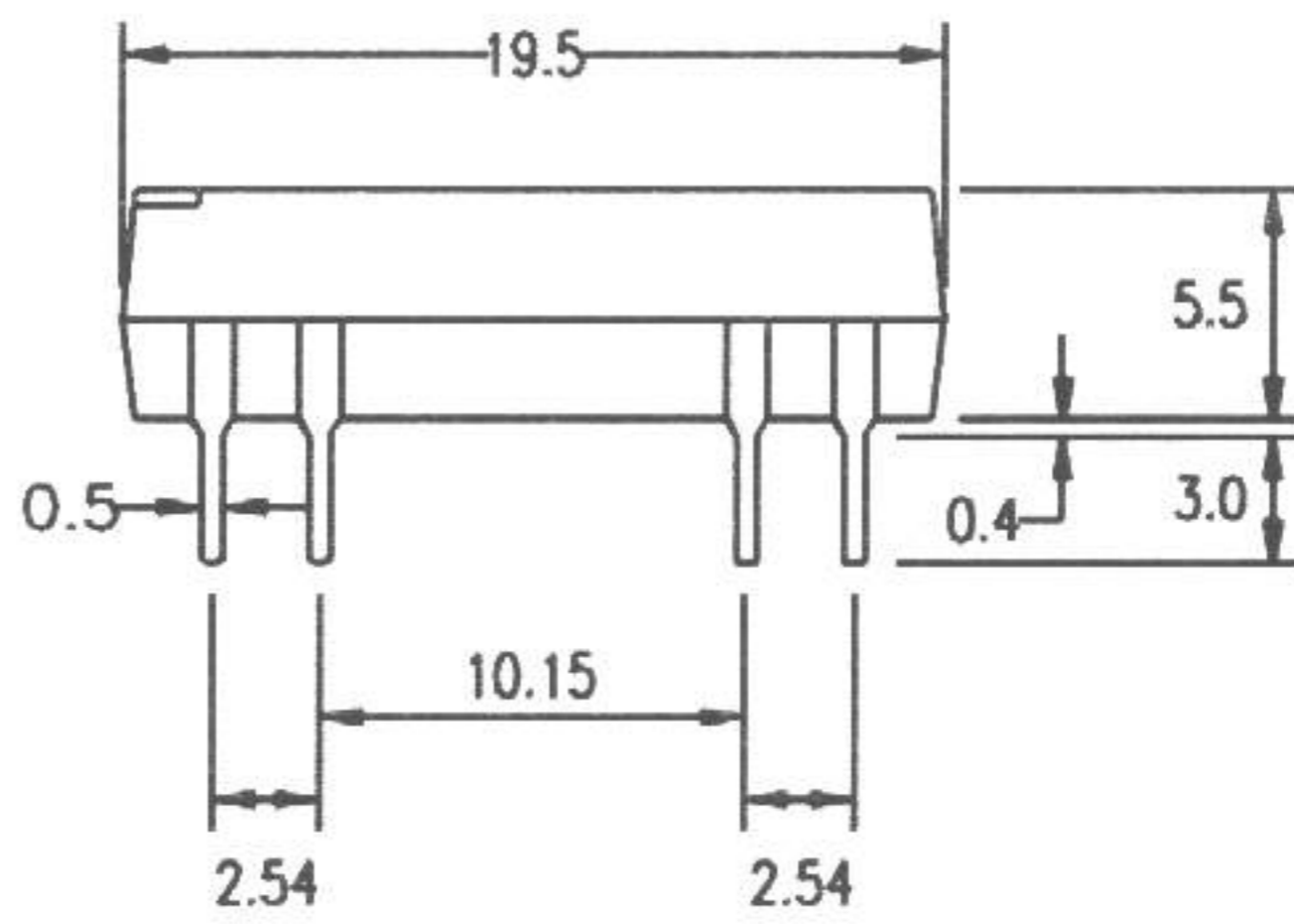
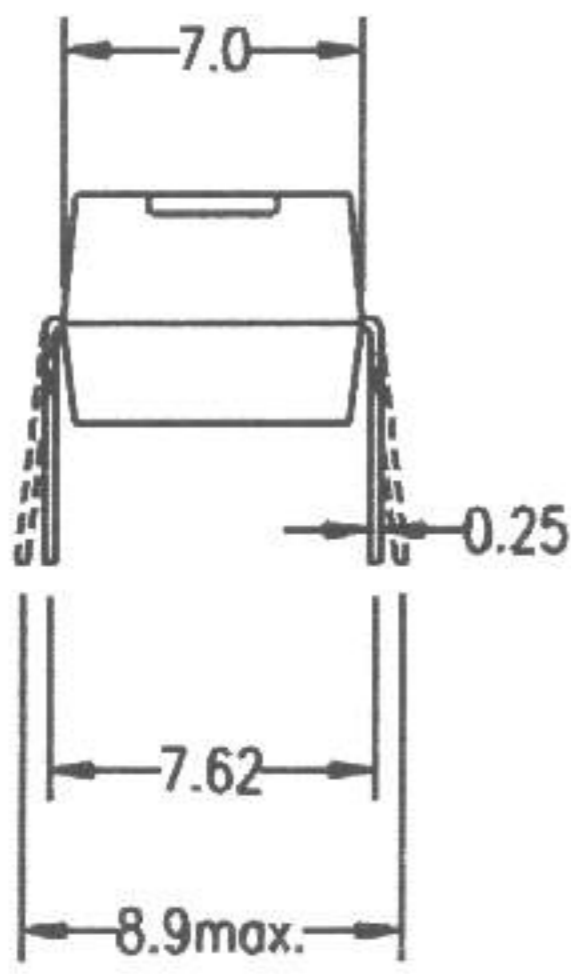
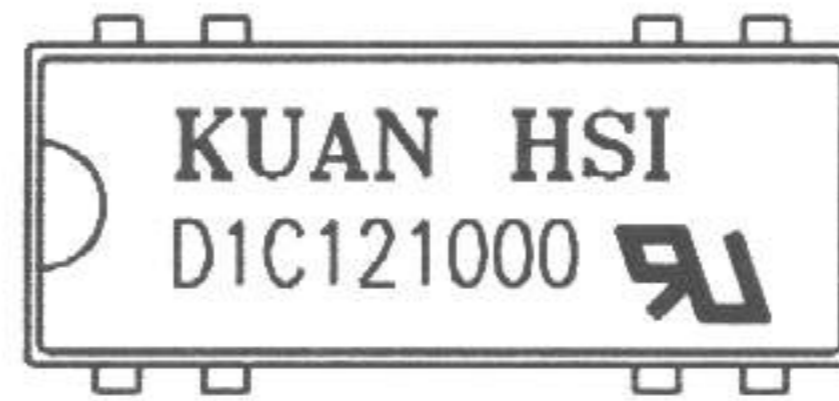


PRODUCT SPECIFICATION

DATE: 05/12/94'

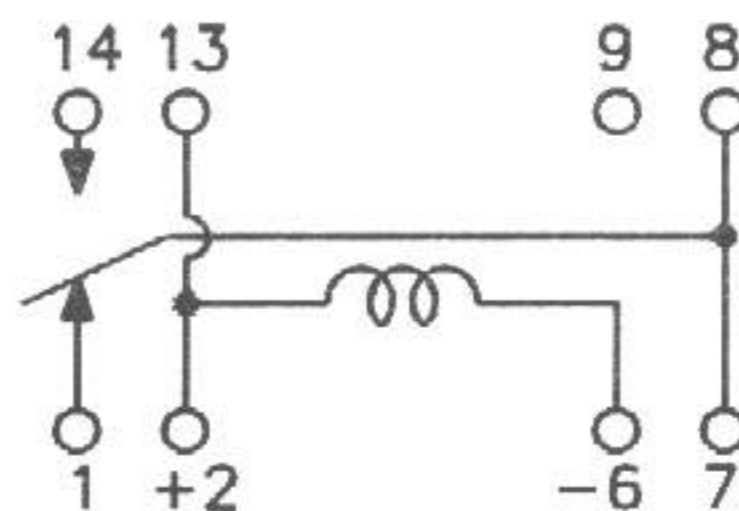
KUAN HSI ELECTRONICS CO.,LTD.	Reed Relay : D1C121000	NO. 50R02020	REV.
		SHEET 1 OF 2	1

1. OUTSIDE DIMENSION : UNIT (mm)



TOLERANCE : ± 0.1 mm

2. SCHEMATIC : TOP VIEW



ISSUE

Jacky Wong
5-12-1994

CHECK

Allen Lau
5-12-1994

APPROVED

[Signature]
5-13-1994

PRODUCT SPECIFICATION

DATE: 05/12/94'

KUAN HSI ELECTRONICS CO.,LTD.	Reed Relay : D1C121000	NO. 50R02020	REV.
		SHEET 2 OF 2	1

3.0 COIL RATINGS: (AT 20°C)

3.1	Coil resistance	500	(Ω ± 10%)
3.2	Nominal coil voltage	12	(VDC)
3.3	Maximum Continuous voltage	20	(VDC)
3.4	Must operate	9	(VDC)
3.5	Must release	1.2	(VDC)
3.6	Rated current	24	(mA)

4.0 ELECTRICAL CHARACTERISTICS :

4.1	Contact resistance	150	(mΩ max)
4.2	Operate time	1.0	(mS max)
4.3	Bounce time	2.0	(mS max)
4.4	Release time	0.2	(mS max)
4.5	Insulation resistance (100 VDC open contact)	10 ¹¹	(Ω min)
4.6	Power	3	(VA max)
4.7	Switching voltage	100	(VDC max)
4.8	Switching current	0.25	(A max)
4.9	Carry current	0.5	(A max)
4.10	Breakdown voltage (across open contact)	200	(VDC min)
	(between coil & contact)	500	(VDC min)
4.11	Life expectancy (signal level)	5X10 ⁷	
4.12	Operating temp.	-40	to 85°C
4.13	Storage temp.	-50	to 125°C
4.14	Resonant frequency	3.5	(KHZ)
4.15	Vibration (10 - 2000 HZ)	20	(g max)
4.16	Minimum permissible load	100mVDC	10uA

ISSUE <i>Jacky Wong</i>	CHECK <i>Alan</i> <i>Sin</i> 5-12-1994	APPROVED <i>C.C.M.</i> 5-13-1994
-------------------------	---	-------------------------------------