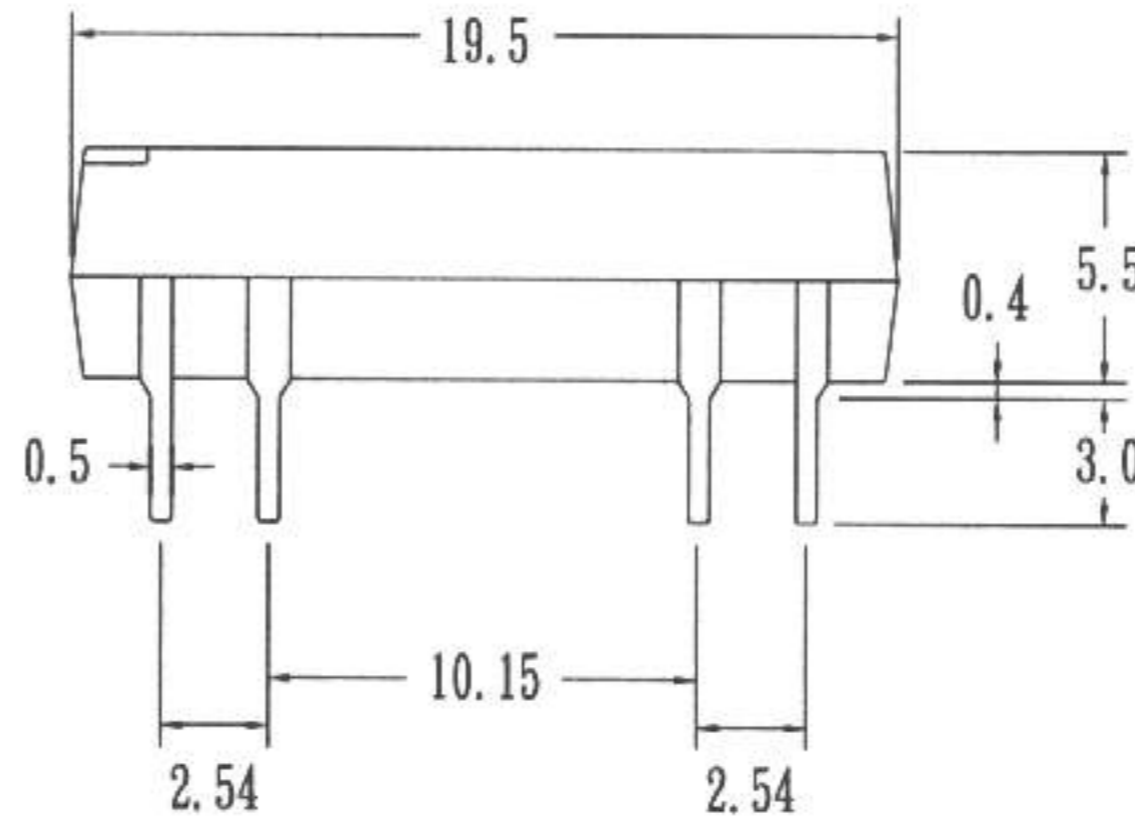
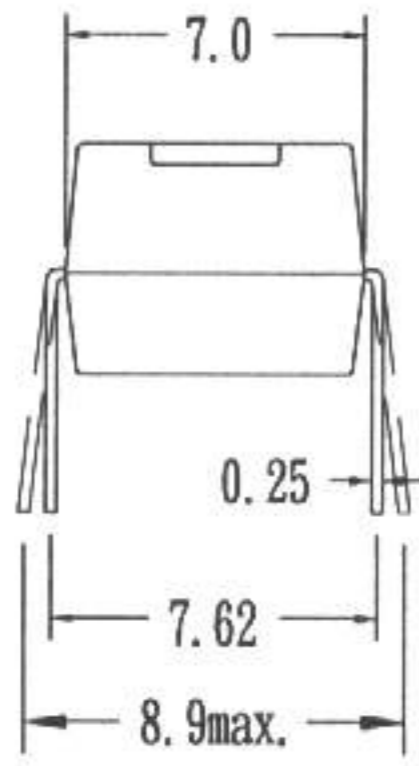


PRODUCT SPECIFICATION

DATE: 03/26/00'

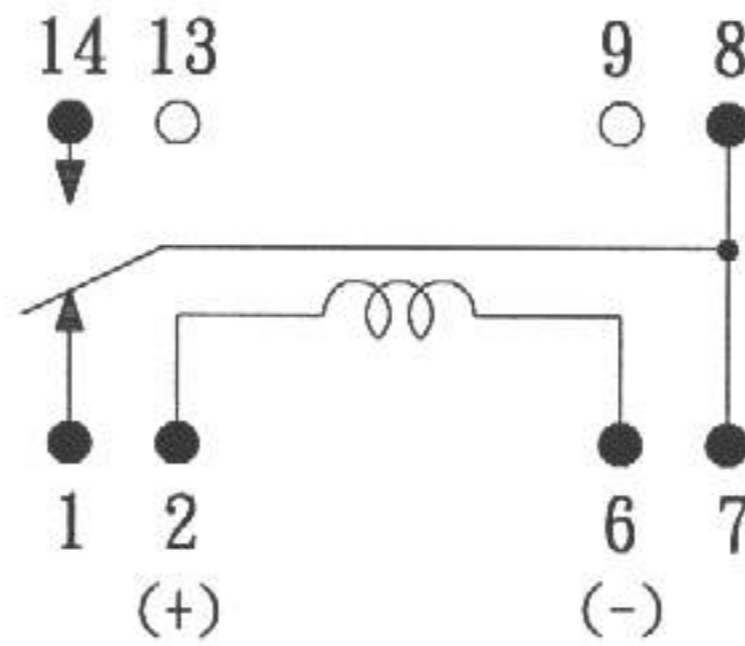
COSMO ELECTRONICS CORPORATION	REED RELAY: D1C240000	NO. 50R01021	REV.
		SHEET 1 OF 2	2

1. OUTSIDE DIMENSION : UNIT (mm)



TOLERANCE : ± 0.1 mm

2. SCHEMATIC : TOP VIEW



ISSUE <i>Dean. Yu.</i> 03-28-00	CHECK <i>Alan Lai 03-29-00</i>	APPROVED <i>Stm Hsu 4-1-00</i>
---------------------------------------	-----------------------------------	-----------------------------------

PRODUCT SPECIFICATION

DATE: 03/26/00

COSMO	REED RELAY: D1C240000	NO. 50R01021	REV.
ELECTRONICS CORPORATION		SHEET 2 OF 2	2

3.0 COIL RATINGS: (AT 20°C)

3.1 Coil resistance	2150	Ω	(±10%)
3.2 Nominal coil current	24	VDC	
3.3 Maximum Continuous voltage	28	VDC	
3.4 Must operate	18	VDC	
3.5 Must release	2.4	VDC	
3.6 Rated current	11.1	mA	

4.0 ELECTRONICAL CHARACTERISTICS:

4.1 Contact resistance	150	mΩ	(max)
4.2 Operate time	1.0	ms	(max)
4.3 Bounce time	2.0	ms	(max)
4.4 Release time	1.0	ms	(max)
4.5 Insulation resistance (100 VDC open contact)	10 ⁹	Ω	(min)
4.6 Power	3	VA	(max)
4.7 Switching voltage	100	VDC	(max)
4.8 Switching current	0.25	A	(max)
4.9 Carry current	0.5	A	(max)
4.10 Breakdown voltage (across open contact)	200	VDC	(min)
		(between coil & contact)	500 VDC (min)
4.11 Life expectancy (signal level)	5*10 ⁷		
4.12 Operating temp	-40 to 85°C		
4.13 Storage temp	-50 to 125°C		
4.14 Resonant frequency	3.5	KHZ	
4.15 Vibration (10-2000HZ)	20	g	(max)
4.16 Minimum permissible load	100	mVDC	10uA

ISSUE <div style="text-align: center; font-family: cursive;">Dean. Yu. 03-28-00</div>	CHECK <div style="text-align: center; font-family: cursive;">Alan Lui 03-29-00</div>	APPROVED <div style="text-align: center; font-family: cursive;">Stan Hsu 4-1-00</div>
--	---	--