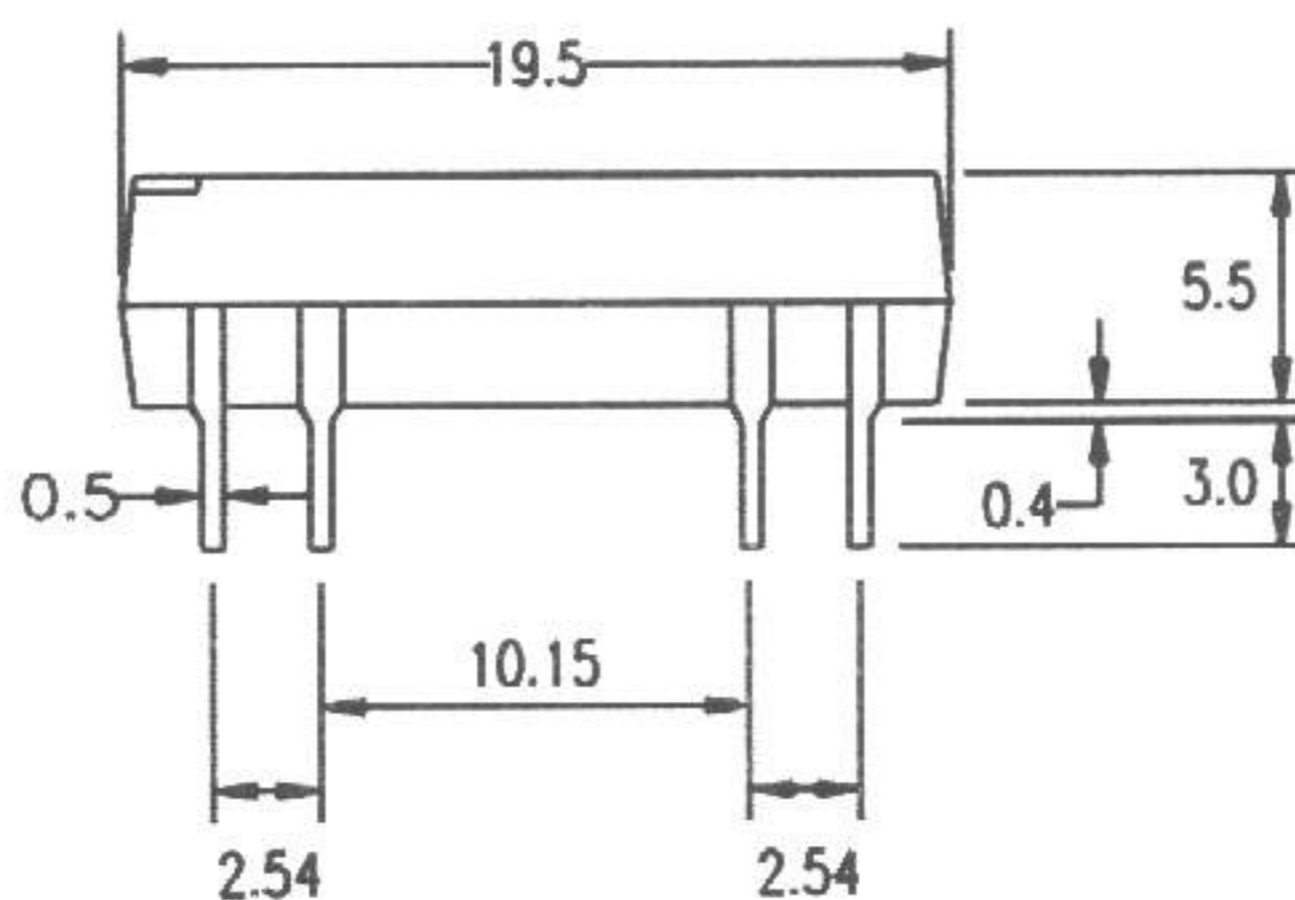
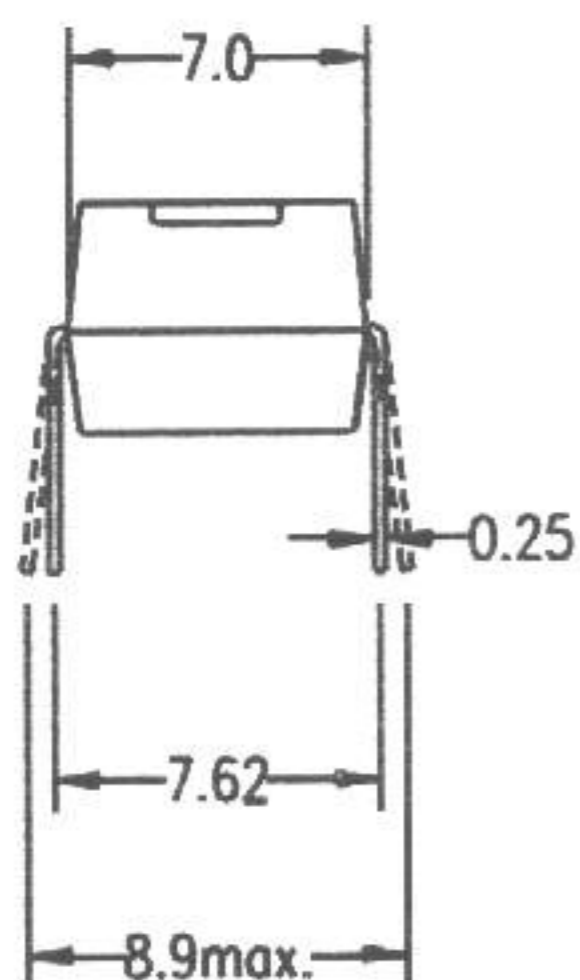
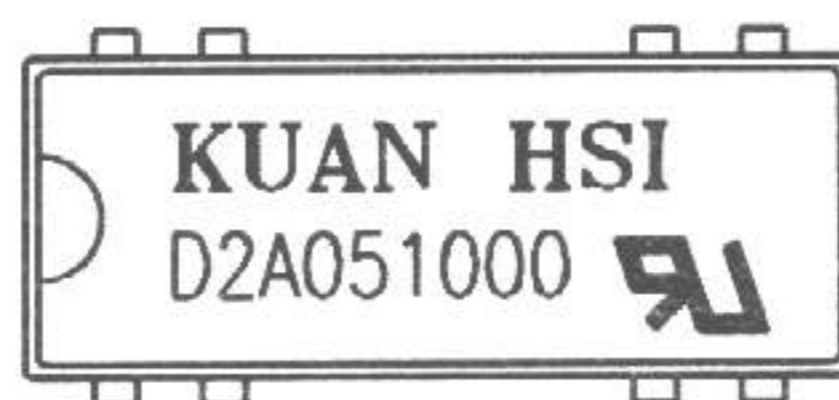


# PRODUCT SPECIFICATION

DATE: 05/11/94'

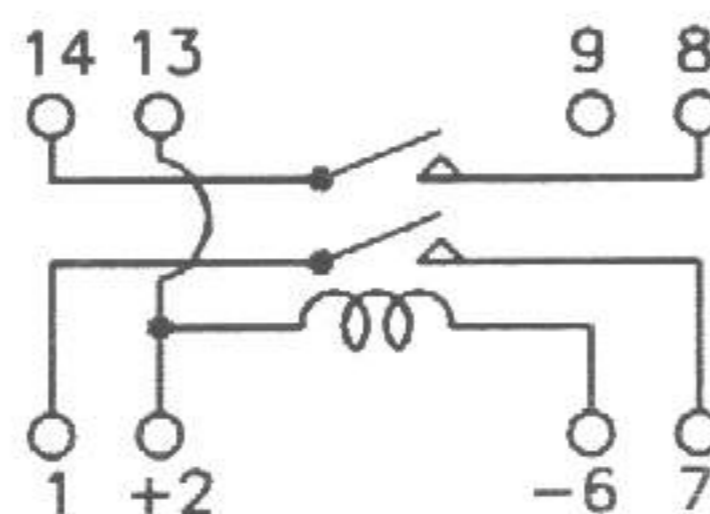
<b>KUAN HSI</b> ELECTRONICS CO.,LTD.	Reed Relay : D2A051000	NO. 50R02013	REV.
		SHEET 1 OF 2	1

1. OUTSIDE DIMENSION : UNIT ( mm )



TOLERANCE :  $\pm 0.1\text{mm}$

2. SCHEMATIC : TOP VIEW



ISSUE

*Jacky Wang*  
5-11-1994

CHECK

*Alan Lai*  
5-12-1994

APPROVED

*C. C. ...*  
5-13-1994

# PRODUCT SPECIFICATION

DATE: 05/11/94'

<b>KUAN HSI</b> ELECTRONICS CO.,LTD.	<b>Reed Relay :</b>  D2A051000	NO. 50R02013	REV.
		SHEET 2 OF 2	1

3.0 COIL RATINGS: (AT 20°C)

3.1	Coil resistance	140	( $\Omega \pm 10\%$ )
3.2	Nominal coil voltage	5	(VDC)
3.3	Maximun Continuous voltage	10	(VDC)
3.4	Must operate	3.75	(VDC)
3.5	Must release	1.0	(VDC)
3.6	Rated current	35.7	( mA )

4.0 ELECTRONICAL CHARACTERISTICS :

4.1	Contact resistance	100	(m $\Omega$ max)
4.2	Operate time	0.5	(mS max)
4.3	Bounce time	0.5	(mS max)
4.4	Release time	0.2	(mS max)
4.5	Insulation resistance (100 VDC open contact)	10 <sup>11</sup>	( $\Omega$ min)
4.6	Power	10	(VA max)
4.7	Switching voltage	200	(VDC max)
4.8	Switching current	0.5	( A max)
4.9	Carry current	1.0	( A max)
4.10	Breakdown voltage (across open contact)	250	(VDC min)
	(between coil & contact)	500	(VDC min)
4.11	Life expectancy (signal level)	10 <sup>8</sup>	
4.12	Operating temp.	-40	to 85°C
4.13	Storage temp.	-50	to 125°C
4.14	Resonant frequency	3.5	(KHZ)
4.15	Vibration (10 - 2000 HZ)	20	(g max)
4.16	Minimum permissible load	100	mVDC 10uA

<b>ISSUE</b> <i>Jacky Wang</i> 5-11-94	<b>CHECK</b> <i>Alan</i> 5-12-94	<b>APPROVED</b> <i>[Signature]</i> 5-13-94
--	-------------------------------------	--