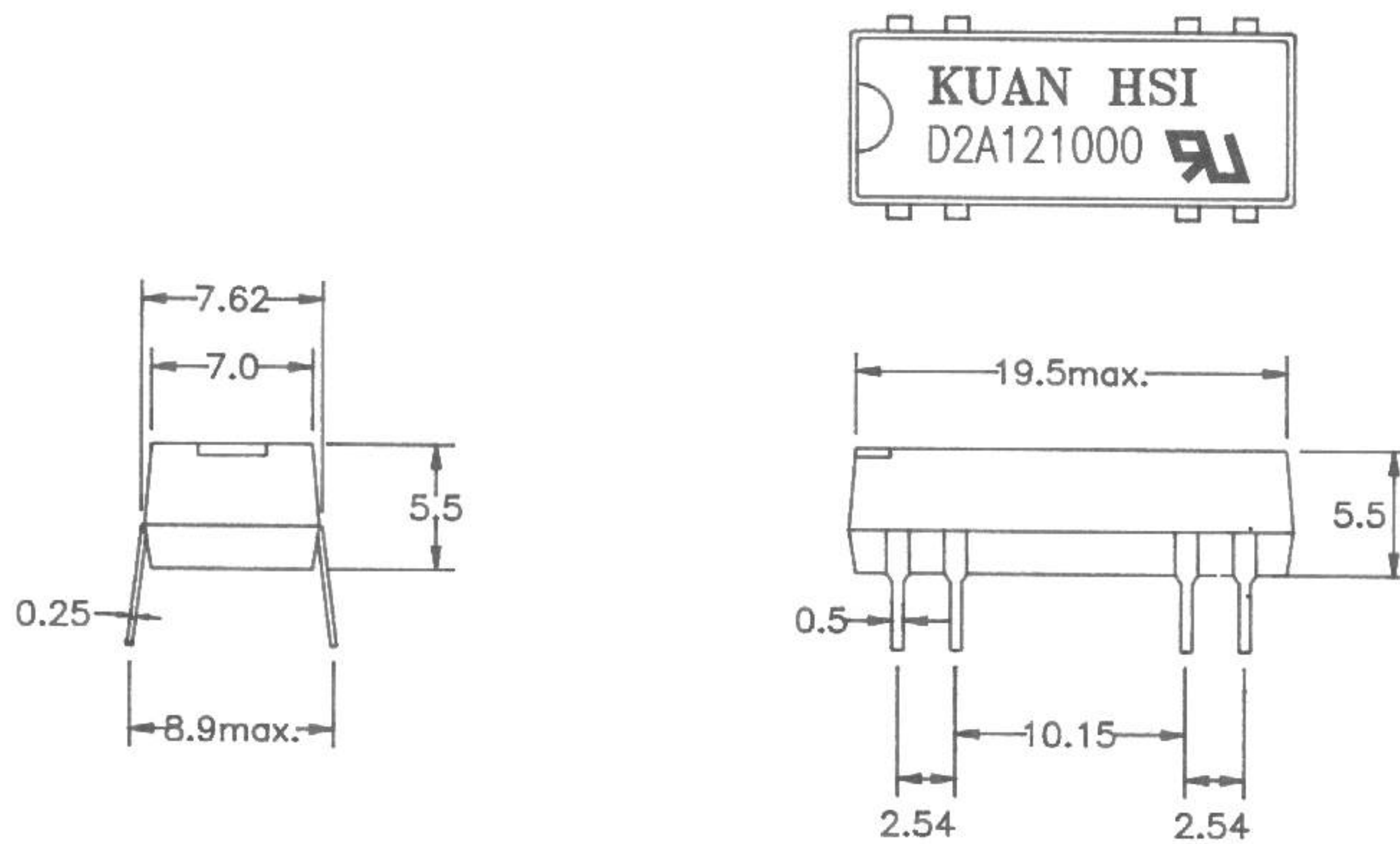


# PRODUCT SPECIFICATION

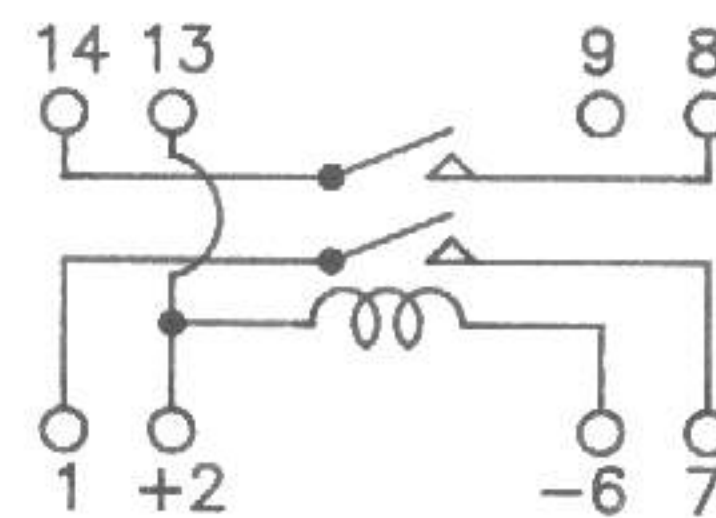
DATE:   /05/04/93'  

<b>KUAN HSI</b> ELECTRONIC CO.,LTD.	Reed Relay : D2A121000	NO. 50R02014	REV.
		SHEET 1 OF 2	/

1. OUTSIDE DIMENSION : UNIT ( mm )



2. SCHEMATIC : TOP VIEW



ISSUE <i>SAM YIIN</i> 5-4-1993	CHECK <i>David Wang</i> 5-4-1993	APPROVED <i>EOJENG Wang</i> 5-5-1993
--------------------------------------	----------------------------------------	--------------------------------------------

# PRODUCT SPECIFICATION

DATE: 05/04/93'

<b>KUAN HSI</b> ELECTRONIC CO.,LTD.	Reed Relay : D2A121000	NO. 50R02014 SHEET 2 OF 2	REV. /
----------------------------------------	---------------------------	------------------------------	-----------

3.0 COIL RATINGS: (AT 20°C)

3.1	Coil resistance	500	( $\Omega \pm 10\%$ )
3.2	Nominal coil voltage	12	(VDC)
3.3	Maximun Continuous voltage	20	(VDC)
3.4	Must operate	9	(VDC)
3.5	Must release	1.2	(VDC)
3.6	Rated current	24	( mA)

4.0 ELECTRONICAL CHARACTERISTICS :

4.1	Contact resistance	100	(m $\Omega$ max)
4.2	Operate time	0.5	(mS max)
4.3	Bounce time	0.5	(mS max)
4.4	Release time	0.2	(mS max)
4.5	Insulation resistance (100 VDC open contact)	10 <sup>11</sup>	( $\Omega$ min)
4.6	Power	10	(VA max)
4.7	Switching voltage	200	(VDC max)
4.8	Switching current	0.5	( A max)
4.9	Carry current	1.0	( A max)
4.10	Breakdown voltage (across open contact)	250	(VDC min)
	(between coil & contact)	500	(VDC min)
4.11	Life expectancy (signal level)	10 <sup>8</sup>	
4.12	Operating temp.	-40	to 85°C
4.13	Storage temp.	-50	to 125°C
4.14	Resonant frequency	3.5	(KHZ)
4.15	Vibration (10 - 2000 HZ)	20	(g max)
4.16	Minimun permissible load	100mVDC X 10uA	

ISSUE <i>SAM YIIN.</i> <small>5-4-1993</small>	CHECK <i>David Wang 74</i> <small>5-4-1993</small>	APPROVED <i>EUGENE Hwang</i> <small>5-5-1993</small>
------------------------------------------------------	----------------------------------------------------------	------------------------------------------------------------