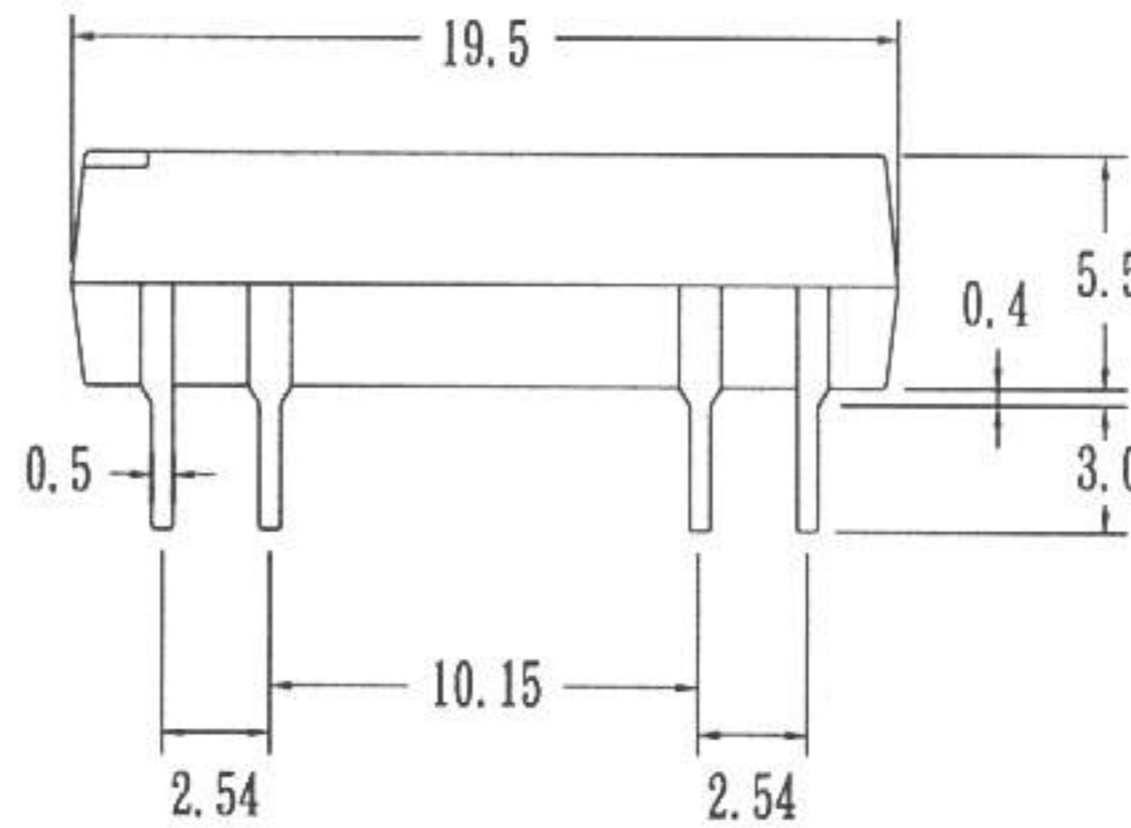
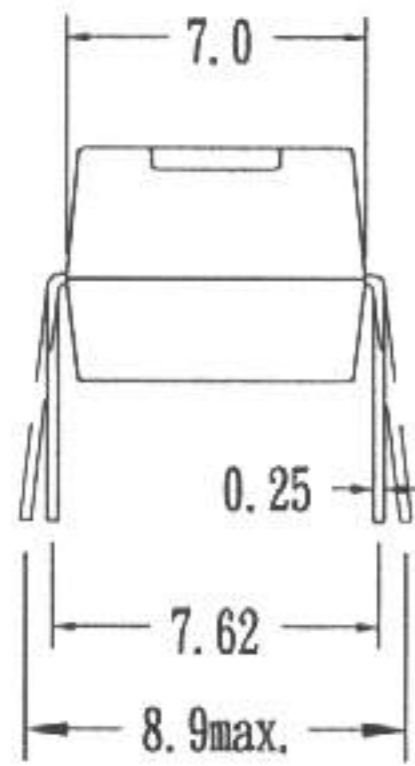


# PRODUCT SPECIFICATION

DATE: 03/26/00'

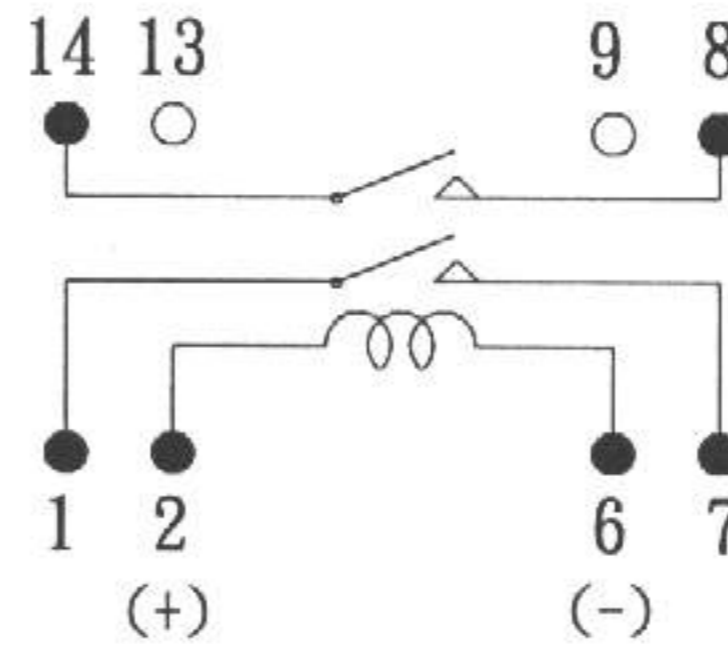
<b>COSMO</b> ELECTRONICS CORPORATION	REED RELAY: <b>D2A240000</b>	NO. 50R01015	REV.
		SHEET 1 OF 2	2

## 1. OUTSIDE DIMENSION : UNIT ( mm )



TOLERANCE :  $\pm 0.1\text{mm}$

## 2. SCHEMATIC : TOP VIEW



ISSUE

Dean. Yu.  
03-28-00

CHECK

Alan Lui 03-29-00

APPROVED

*[Signature]*

# PRODUCT SPECIFICATION

DATE: 03/26/00'

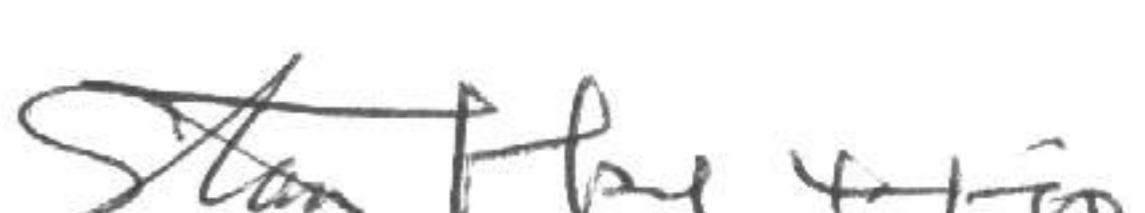
<b>COSMO</b> ELECTRONICS CORPORATION	REED RELAY: <b>D2A240000</b>	NO. 50R01015	REV. 2
		SHEET 2 OF 2	

### 3.0 COIL RATINGS: (AT 20°C)

3.1	Coil resistance	2150	$\Omega$	( $\pm 10\%$ )
3.2	Nominal coil current	24	VDC	
3.3	Maximun Continuous voltage	28	VDC	
3.4	Must operate	18	VDC	
3.5	Must release	2.4	VDC	
3.6	Rated current	11.1	mA	

### 4.0 ELECTRONICAL CHARACTERISTICS:

4.1	Contact resistance	100	m $\Omega$	(max)
4.2	Operate time	0.5	ms	(max)
4.3	Bounce time	0.5	ms	(max)
4.4	Release time	0.2	ms	(max)
4.5	Insulation resistance (100 VDC open contact)	10 <sup>11</sup>	$\Omega$	(min)
4.6	Power	10	VA	(max)
4.7	Switching voltage	200	VDC	(max)
4.8	Switching current	0.5	A	(max)
4.9	Carry current	1.0	A	(max)
4.10	Breakdown voltage (across open contact)	250	VDC	(min)
	(between coil & contact)	500	VDC	(min)
4.11	Life expectancy (signal level)	10 <sup>8</sup>		
4.12	Operating temp	-40 to 85°C		
4.13	Storage temp	-50 to 125°C		
4.14	Resonant frequency	3.5	KHZ	
4.15	Vibration (10-2000HZ)	20	g	(max)
4.16	Minimum permissible load	100	mVDC	10uA

ISSUE <i>Dean. Yu.</i> <i>03-28-00</i>	CHECK <i>Alan Lee 03-29-00</i>	APPROVED 
--	-----------------------------------	---