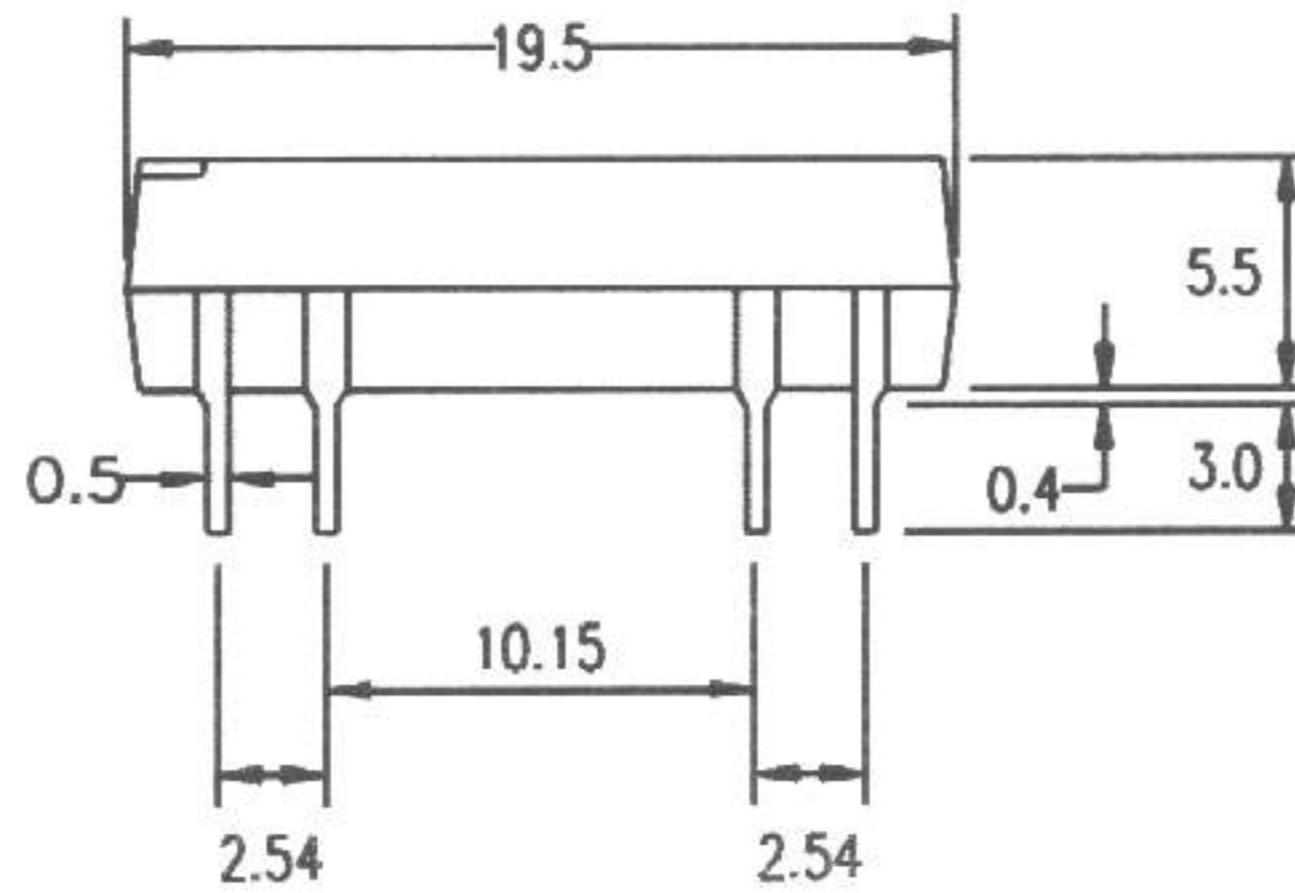
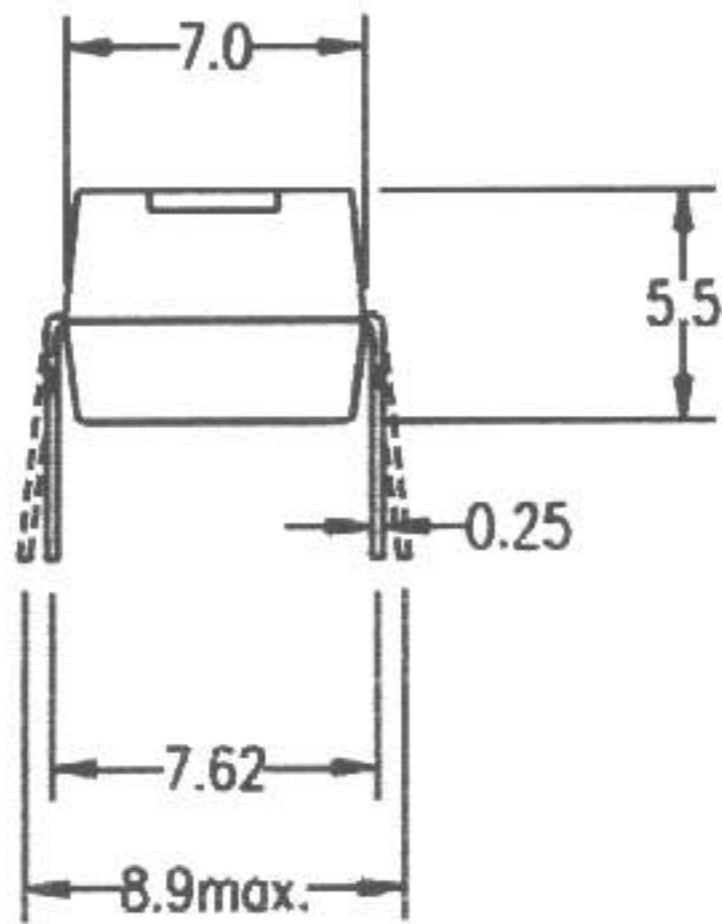


# PRODUCT SPECIFICATION

DATE: 05/11/94'

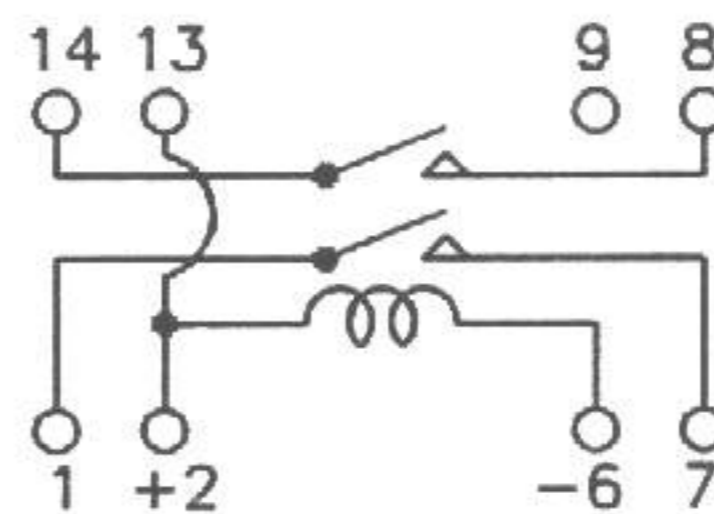
<b>KUAN HSI</b> ELECTRONICS CO.,LTD.	Reed Relay : D2A241000	NO. 50R02015	REV.
		SHEET 1 OF 2	1

1. OUTSIDE DIMENSION : UNIT ( mm )



TOLERANCE :  $\pm 0.1$ mm

2. SCHEMATIC : TOP VIEW



ISSUE

*Jacky Wong*  
5-11-1994

CHECK

*A. Lee*  
*Sai*  
5-12-1994

APPROVED

*[Signature]*  
5-12-1994

# PRODUCT SPECIFICATION

DATE: 05/11/94'

<b>KUAN HSI</b> ELECTRONICS CO.,LTD.	Reed Relay :  D2A241000	NO. 50R02015	REV.
		SHEET 2 OF 2	1

3.0 COIL RATINGS: (AT 20°C )

3.1	Coil resistance	2150	( $\Omega \pm 10\%$ )
3.2	Nominal coil voltage	24	(VDC)
3.3	Maximun Continuous voltage	28	(VDC)
3.4	Must operate	18	(VDC)
3.5	Must release	2.4	(VDC)
3.6	Rated current	11.1	( mA )

4.0 ELECTRONICAL CHARACTERISTICS :

4.1	Contact resistance	100	( m $\Omega$ max )
4.2	Operate time	0.5	( mS max )
4.3	Bounce time	0.5	( mS max )
4.4	Release time	0.2	( mS max )
4.5	Insulation resistance (100 VDC open contact)	10 <sup>11</sup>	( $\Omega$ min )
4.6	Power	10	( VA max )
4.7	Switching voltage	200	( VDC max )
4.8	Switching current	0.5	( A max )
4.9	Carry current	1.0	( A max )
4.10	Breakdown voltage (across open contact)	250	( VDC min )
	(between coil & contact)	500	( VDC min )
4.11	Life expectancy (signal level)	10 <sup>8</sup>	
4.12	Operating temp.	-40	to 85°C
4.13	Storage temp.	-50	to 125°C
4.14	Resonant frequency	3.5	( KHZ )
4.15	Vibration (10 - 2000 HZ)	20	( g max )
4.16	Minimum permissible load	100	mVDC 10uA

ISSUE <i>Jacky Wong</i> 5-11-1994	CHECK <i>Alan Lai</i> 5-12-1994	APPROVED <i>[Signature]</i> 5-12-1994
--------------------------------------	------------------------------------	--